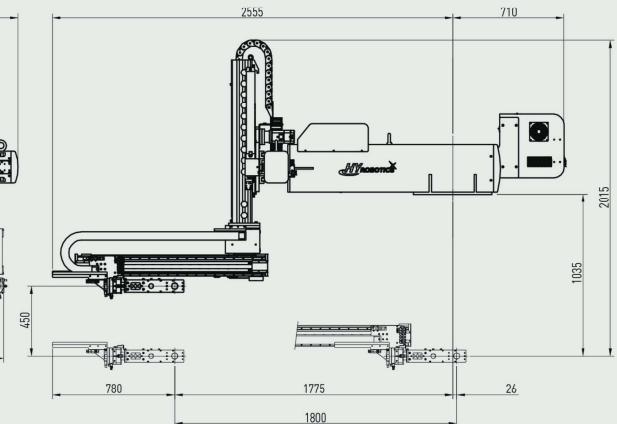
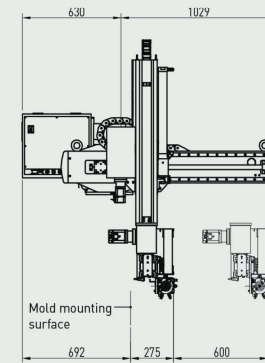
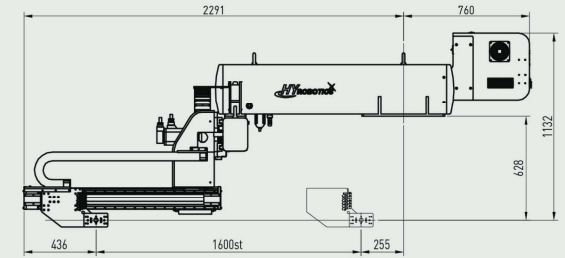
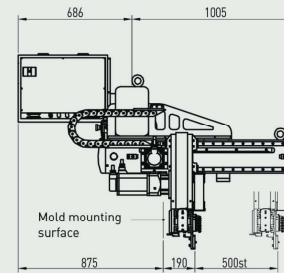
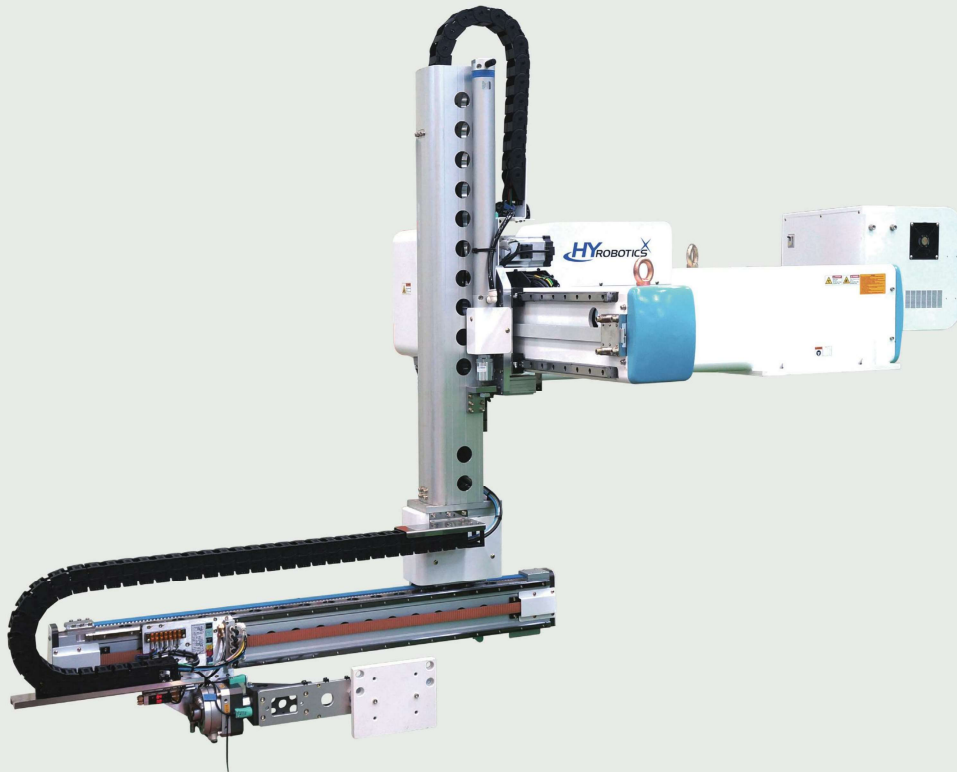


Side Entry SR II / SR III Series

100~350 Ton

- Feature**
- Target IMM : 100~300 Ton
 - Motion Guide : LM guide
 - Traverse Structure : Digital Servo Motor
 - SR II : Traverse / Crosswise parts - Servo motors
 - SR III : Traverse / Crosswise / Vertical parts - Servo motors

Power : 1Phase AC220V(50/60Hz)
 Driving Method : Digital Servo Motor
 Control Method : Micro Computer
 Air Pressure : 6 kgf/cm²
 Max. Air Pressure : 8 kgf/cm²
 Chuck Rotation : 90°



Technical Specification

() is optional.

Model	Traverse (mm)	Crosswise (mm)	Vertical (mm)	Max. Electric Consumption	Air Consumption [ℓ(normal)/Cycle]	Max. Payload (Chuck Included)
SR II-350	1600	500	-	3 Phase / AC 220V 17.6A	7	10 Kg
SR III-350	(1800)	600	450	1 Phase / AC 220V 11.5A	16	10 Kg

All information subject to change without notice for quality improvements.