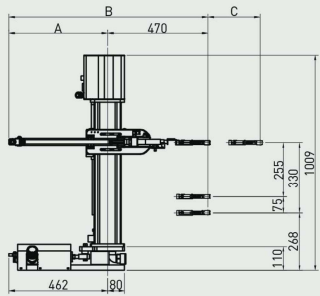


TOPIV-V-X Series

80~350 Ton

Power : 1Phase AC220V(50/60Hz)
 Driving Method : Pneumatic Actuator
 Control Method : Micro Computer
 Air Pressure : 6 kgf/cm²
 Max. Air Pressure : 8 kgf/cm²

- Feature**
- Possible to take out products and runner of compact vertical injection machine(80~350 Ton).
 - 4 point suction head can be installed.



Dimension

Model	A	B	C
TOP IV-V-X550	562	1032	550
TOP IV-V-X650	662	1132	650
TOP IV-V-X750	762	1232	750

Unit : mm

Technical Specification

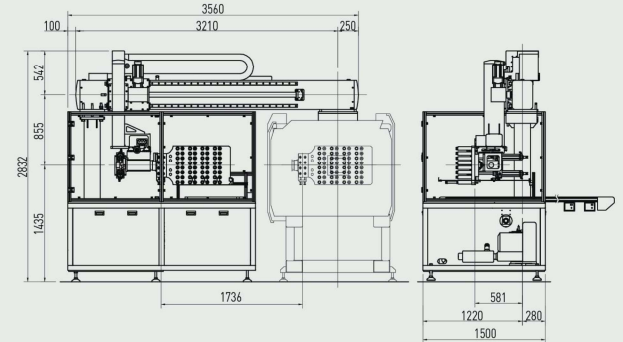
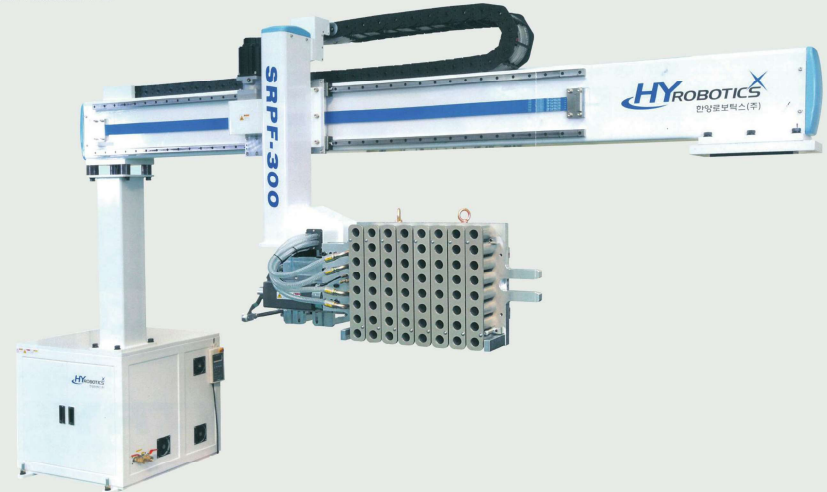
Model	Stroke (mm)			Reach Position	Air Consumption [ℓ(normal)/Cycle]	Max. Payload (Chuck Included)	Net Weight (kg)
	Crosswise (mm)	Vertical (mm)	Swing				
TOP IV-V-X550	550	75	Min 60° ~ Min 90°	100	14	1.2 kgf	37
TOP IV-V-X650	650						38
TOP IV-V-X750	750						39

All information subject to change without notice for quality improvements.

Side Entry Robot Preform (SRPF)

100~300 Ton

Power : 3Phase AC220V(50/60Hz)
 Driving Method : Digital servo motor and pneumatic cylinder
 Control Method : Micro Computer
 Air Pressure : 6 kgf/cm²
 Max. Air Pressure : 8 kgf/cm²
 Chuck Rotation : 90°



Feature

- Target IMM : 100~300 Ton
- LM guide
- Low ceiling optimization
- Mold side stand-by

Technical Specification

Model	Traverse (mm)	Max. Electric Consumption	Air Consumption [ℓ(normal)/Cycle]	Max. Payload (Chuck Included)
SRPF-300	1800	3Phase AC 220V 30A	7	120 Kgf

All information subject to change without notice for quality improvements.